



The MN series of Gefran, are pressure transmitters for using in High temperature environment. The main characteristic of this series is the capability to read temperature of the media up to 400°C. The constructive principle is based on the hydraulic transmission of the pressure. The fluid-filled system assures the temperature stability. The physical measure is transformed in a electrical measure by means the strain-gauge technology.

#### MAIN FEATURES

- Pressure ranges from:  
0-35 to 0-2000 bar / 0-500 to 0-30000 psi
- Accuracy: <math>\pm 0.25\%</math> FSO (H); <math>\pm 0.5\%</math> FSO (M)
- Fluid-filled system for temperature stability
- Mercury filling volume:  
MN0 (30mm<sup>3</sup>); MN1, MN2, MN3 (40mm<sup>3</sup>)
- 1/2-20UNF, M18x1.5 standard threads; other types available on request
- Other diaphragms available on request
- Autozero function on board / external option
- Drift Autocompensation function (SP version)
- Standard diaphragm is 15-5 PH stainless steel with GTP coating
- 17-7 PH corrugated diaphragm with GTP coating for ranges below 100 bar-1500 psi

*GTP (advanced protection)  
Coating with high resistance against corrosion, abrasion and high temperature*

#### AUTOZERO FUNCTION

All signal variations in the absence of pressure can be eliminated by using the Autozero function. This function is activated by closing a magnetic contact located on the transmitter housing. The procedure is permitted only with pressure at zero.

#### AUTO-COMPENSATES INFLUENCE OF MELT TEMPERATURE

Thanks to internal self-compensation, the MSP series transmitter cancels the effect of pressure signal variation caused by variation of Melt temperature. This reduces at the minimum the read error caused by heating of the filling fluid (typical of all sensors built with "filled" technology).

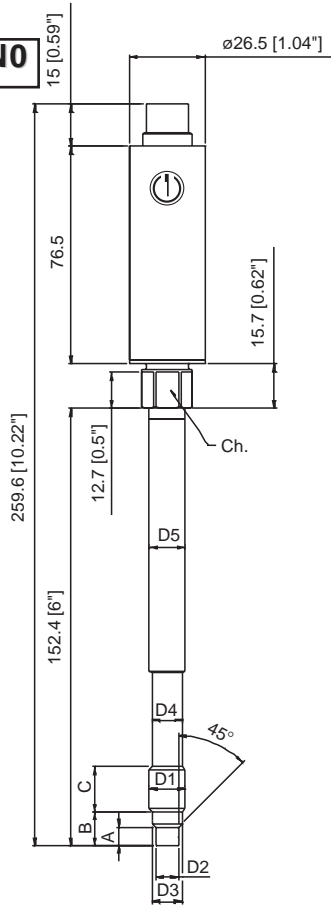
#### TECHNICAL SPECIFICATIONS

Accuracy (1)	H <math>\pm 0.25\%</math>FSO (100...2000 bar) M <math>\pm 0.5\%</math>FSO (35...2000 bar)
Resolution	Infinite
Measurement range	0..35 to 0..2000bar 0..500 to 0..30000psi
Maximum overpressure (without degrading performances)	2 x FS 1.5 x FS above 1000bar/15000psi
Measurement principle	Extensimetric
Power supply	15...30Vdc N, C 10...30Vdc B, M -15...+15Vdc H, L
Maximum current absorption	25mA
Insulation resistance (at 50Vdc)	>1000 MOhm
Output signal Full Scale (FSO)	5Vdc (M, H) - 10Vdc (N, L) 5,1Vdc (B) - 10,1Vdc (C)
Zero balance (tolerance $\pm 0.25\%$ FSO)	0Vdc (M, N, H, L) 0.1Vdc (B, C)
Zero signals adjustment (tolerance $\pm 0.25\%$ FSO)	"Autozero" function
Span adjustment within $\pm 5\%$ FSO	See Manual
Maximum allowed load	1mA
Response time (10...90% FSO)	~ 1ms
Output noise (RMS 10-400Hz)	<math>< 0.025\%</math> FSO
Calibration signal	80% FSO
Output short circuit ingress and reverse polarity protection	YES
Compensated temperature range	0...+85°C
Operating temperature range	-30...+105°C
Storage temperature range	-40...+125°C
Thermal drift in compensated range: Zero / Calibration / Sensibility	<math>< 0.02\%</math> FSO/°C
Diaphragm maximum temperature	400°C / 750°F
Zero drift due to change in process temperature (zero)	0.02 bar/°C
Zero drift temperature for Autocompensated version (SP) within the temperature range 20°C-400°C inclusive the drift temperature of the housing	<math>< 0.003 \text{ bar}/^\circ\text{C}</math> 100 $\leq p < 500$ bar 0.0014 %FS/°C $p \geq 500$ bar
Standard material in contact with process medium	Diaphragm: • 15-5 PH with GTP coating • 17-7 PH corrugated diaphragm with GTP coating for ranges <math>< 100 \text{ bar}</math>(1500psi) Stem: • 17-4 PH
Thermocouple (model MN2)	STD: type "J" (isolated junction)
Protection degree (6-pole female connect)	IP65

FSO = Full scale output: (1) BFSL method (Best Fit Straight Line): includes combined effects of Non-Linearity, Hysteresis and Repeatability.

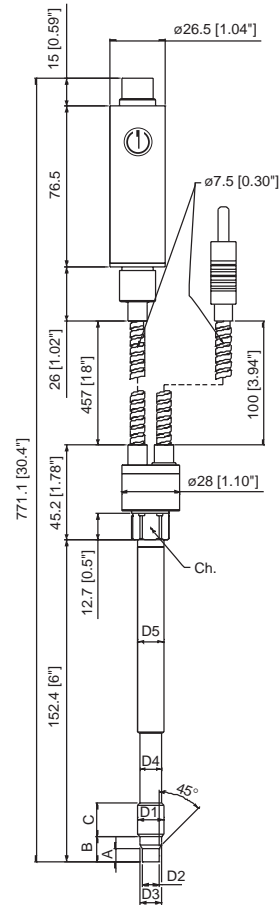
# MECHANICAL DIMENSIONS

**MN0**

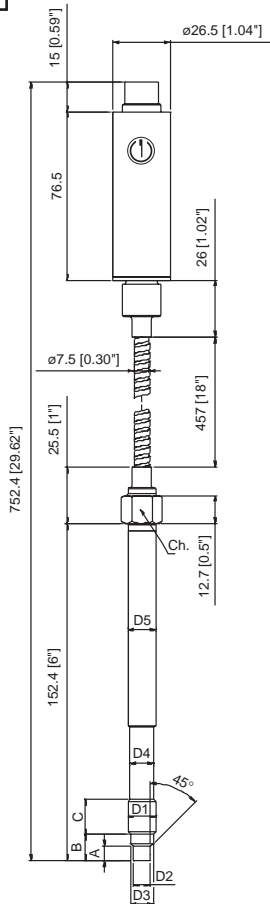


D1	<b>1/2 - 20UNF</b>
D2	$\varnothing 7.8 -0.05$ [ $\varnothing 0.31'' -0.002$ ]
D3	$\varnothing 10.5 -0.025$ [ $\varnothing 0.41'' -0.001$ ]
D4	$\varnothing 10.67$ [ $\varnothing 0.42''$ ]
D5	$\varnothing 12.7$ [ $\varnothing 0.5''$ ]
A	$5.56 -0.26$ [ $0.22'' -0.01$ ]
B	$11.2$ [ $0.44''$ ]
C	$15.74$ [ $0.62''$ ]
Ch	$16$ [ $5/8''$ ]

**MN2**

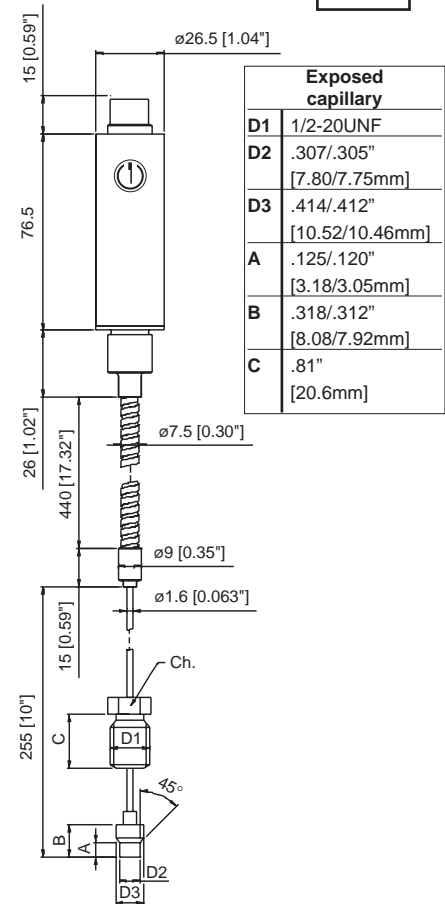


**MN1**



D1	<b>M18x1.5</b>
D2	$\varnothing 10 -0.05$ [ $\varnothing 0.394'' -0.002$ ]
D3	$\varnothing 16 -0.08$ [ $\varnothing 0.63'' -0.003$ ]
D4	$\varnothing 16 -0.4$ [ $\varnothing 0.63'' -0.016$ ]
D5	$\varnothing 18$ [ $\varnothing 0.71''$ ]
A	$6 -0.26$ [ $0.24'' -0.01$ ]
B	$14.8 -0.4$ [ $0.58'' -0.016$ ]
C	$19$ [ $0.75''$ ]
Ch	$19$ [ $3/4''$ ]

**MN3**



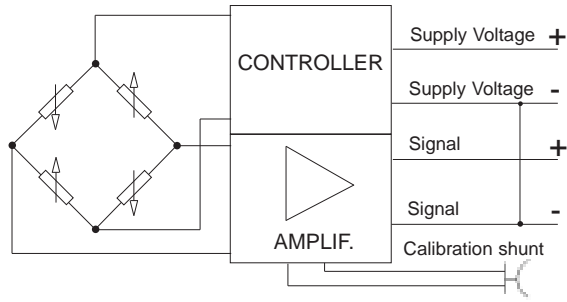
**NOTE :** dimensions refer to rigid stem length option "4" (153 mm – 6")

**WARNING :** For installation use a maximum tightening torque of 56 Nm(500 in-lb)

# ELECTRICAL CONNECTIONS

## VOLTAGE OUTPUT (M, N, B, C)

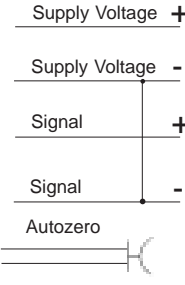
Power supply 15..30Vdc



### MAGNETIC AUTOZERO

6-pin
C
D
A
B
E - F

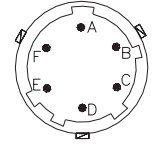
Shield drain wire is tied to connector via cable clamp



### EXTERNAL AUTOZERO

6-pin
C
D
A
B
E - F

6 pin connector  
VPT07RA10-6PT2  
(PT02A-10-6P)



8 pin connector  
PC02E-12-8P Bendix

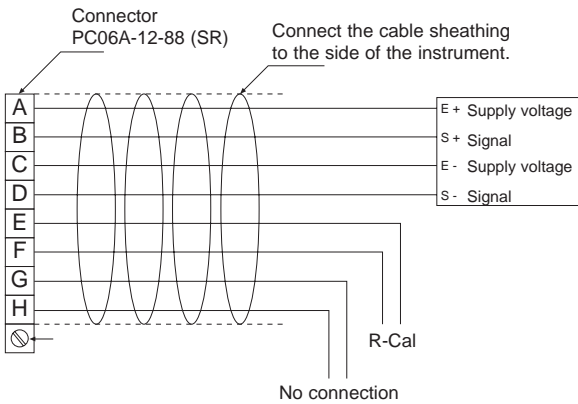


## VOLTAGE OUTPUT (H, L)

Power supply -15..+15Vdc (\*)

(\*) The pin B of the connector must be connected to the common of the  $\pm 15Vdc$  supply

### 8-pin connector



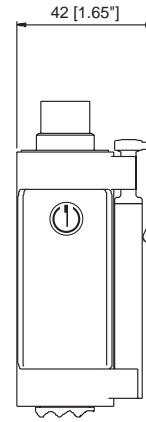
#### Magnetic Autozero version

- A = Excitation + (white)
- B = Signal + (red)
- C = Excitation - (green)
- D = Signal - (black)
- E = R-Cal (blue)
- F = R-Cal (brown)
- G = no connection
- H = no connection

#### External Autozero version

- A = Excitation + (white)
- B = Signal + (red)
- C = Excitation - (green)
- D = Signal - (black)
- E = Autozero (blue)
- F = Autozero (brown)
- G = no connection
- H = no connection

## AUTOZERO FUNCTION



The Autozero function is activated through a magnetic contact (external magnet supplied with the sensor). See the manual for a complete Autozero function explanation.

## ACCESSORIES

### Connectors

- 6-pin mating connector (IP65 protection degree)
- 8-pin mating connector

CON300  
CON307

### Extension cables

- 6-pin connector with 8m (25ft) cable
- 6-pin connector with 15m (50ft) cable
- 6-pin connector with 25m (75ft) cable
- 6-pin connector with 30m (100ft) cable

C08WLS  
C15WLS  
C25WLS  
C30WLS

Other lengths

consult factory

#### Cable color code

Conn.	Wire
A	Red
B	Black
C	White
D	Green
E	Blue
F	Orange

### Accessories

- Mounting bracket
- Dummy plug for 1/2-20UNF
- Dummy plug for M18x1.5
- Drill kit for 1/2-20UNF
- Drill kit for M18x1.5
- Cleaning kit for 1/2-20UNF
- Cleaning kit for M18x1.5
- Fixing pen clip
- Autozero pen

SF18  
SC12  
SC18  
KF12  
KF18  
CT12  
CT18  
PKIT309  
PKIT312

### Thermocouple for MN2 model

Type "J" (153mm - 6" stem)

TTER 601

